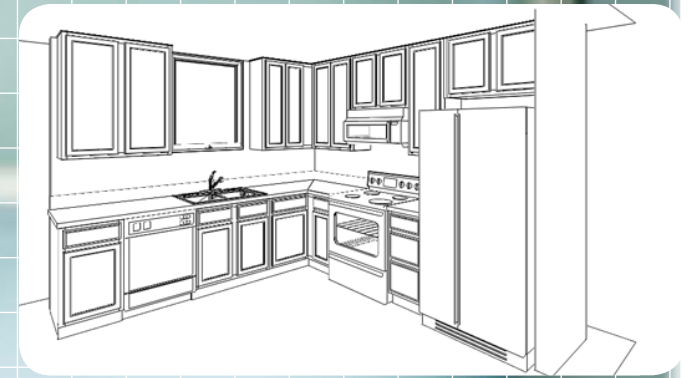


home renovators **auktion**

Your dream kitchen at an affordable price!

KITCHEN PLANS

May-June 2014





**A quality
kitchen of
your choice!**

Over the last twenty years Fowles Auctions & Sales have sold or auctioned thousands of Kitchens to Victorian builders, property investors and home owners, due to this volume we are extremely affordable. Our range of high quality Kitchens, include two pack doors, water resistant melamine internals and granite bench tops, all ready to install.

For a custom designed kitchen or if you wish to make alterations to the layout and need more stone or extra cabinets please contact Megan Marshall or Paul Vertigan from Fowles Auctions & Sales on (03) 9265 5504, as these can be ordered in for you.

It's easy to buy at auction!



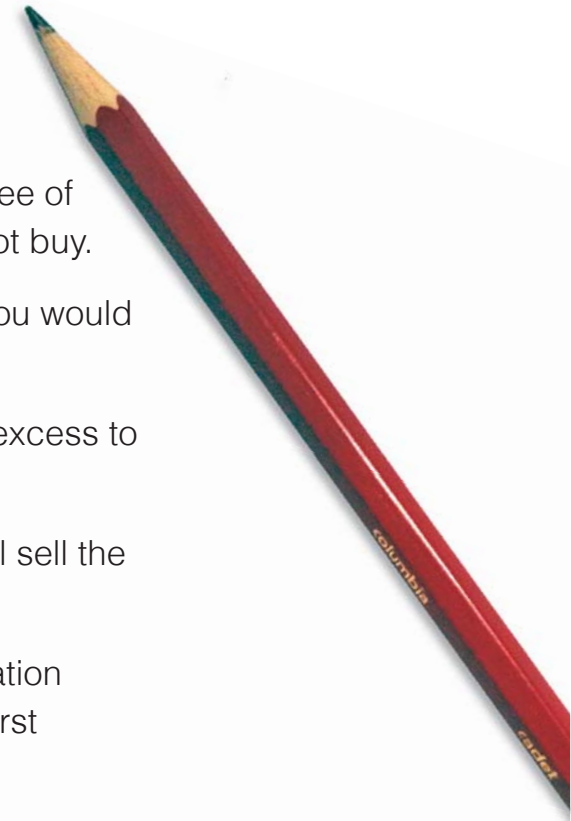
Bidding at Auction is easy, simply:

- ✓ Fill in a Buyer Registration Card and pay the Registration Fee of \$100. This fee is used as a deposit or refunded if you do not buy.
- ✓ Inspect the goods you are interested in and decide what you would be prepared to pay for them.
- ✓ During the Auction, either call out your bid or add a bid in excess to the previous bid.
- ✓ The Auctioneer accepts bids until one bidder is left and will sell the goods (unless passed in).
- ✓ Any kitchens passed in can usually be acquired by negotiation immediately after the auction. The highest bidder has the first option to negotiate.

Absentee bidding

You can leave a bid in absentee. Please ask at the front service counter for the form. It is as simple as filling in your details and indicating what lot number that you are interested in, and leaving your minimum and maximum bid for the auctioneer to bid on your behalf. A registration fee of \$100 is required.

We will contact you after the auction has finished, advising whether you have been successful.



Bargain prices for complete kitchens!



The majority of the kitchens sell between \$2500 to \$4000. The price varies due to the size of the kitchen and the granite benchtop style.

Payment

Your kitchen needs be paid for and picked up by Friday 4pm. We accept cash, eftpos, bank cheque and credit card (Mastercard & Visa - 1% surcharge on all credit card purchases, Amex surcharge 3%).

We also accept direct deposit to: Fowles Auction & Sales

ANZ

BSB: 013 268

A/C: 8357 85088

Remitter information can be your bidder number.

Pick up

Fowles Auctions & Sales have a list of experienced delivery transport companies; see helpful contacts below. Please bring your paid receipt to the customer service counter to arrange pick up. **You will need 2 people** to load the kitchen, and there are plenty of trolleys are available for use.

Helpful contacts

Transport companies

When you organise your transport company to pick up your kitchen, make sure they send **2 people to load** as granite and kitchen cupboards are heavy and a 2 person lift. Due to OH&S responsibilities Fowles Auctions & Sales staff will not be available to load your transportation, the driver will need to do this.

Here are two experienced transport carriers that can load and unload the stone benchtops and kitchen cupboards for you:

Tonner Transport

Contact Michael - 0408 395 927

Charles Hughes Furniture Removals

Contact Charles - 0408 561 738

Stonemason

Gary from Bedrock City stonemason has had loads of experience installing the kitchens sold at the Home Renovator Auction at Fowles Auctions & Sales. Give him a call to discuss your plans.

Bedrock City

Gary Davis - 0412 055 304

www.bedrockcity.com.au

Kitchen Installations

Phil's Kitchen Installations

Contact Phil - 0439 000 691

Colours and styles



Benchtop profiles

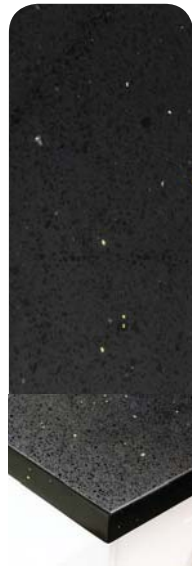


Bullnose



Square Edge

Benchtop colours



Black Galaxy -
bronze fleck



Star White



English Brown



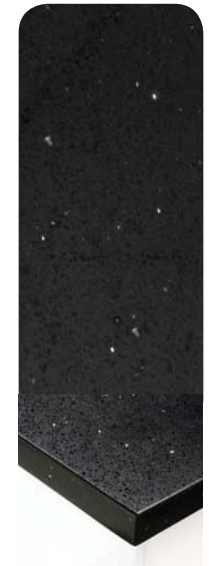
Rose Pink



HM Granite



Butterfly Green



Star Black -
silver fleck

Cupboard profiles



Pencil Edge



Bevelled Edge



Arch Routed

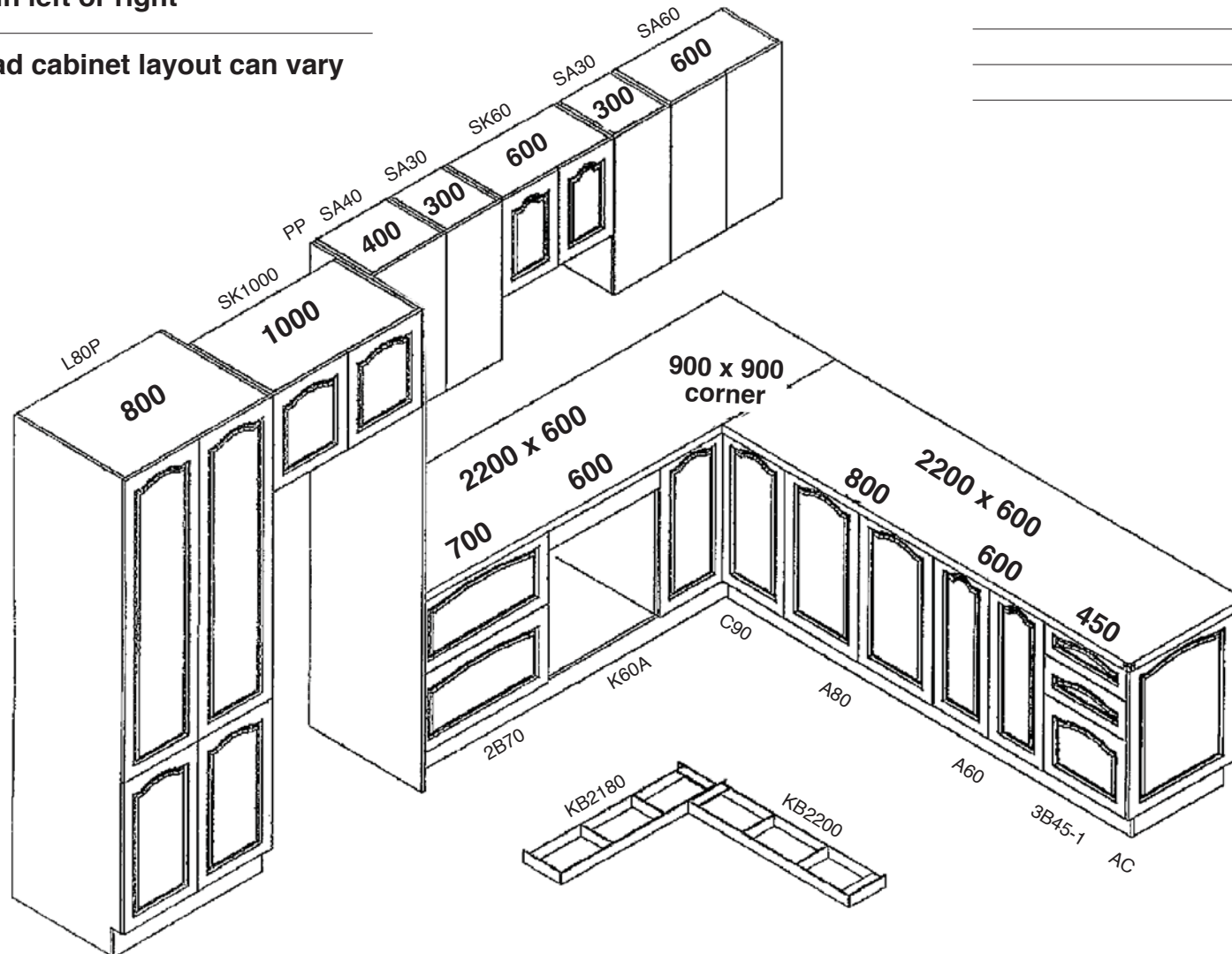


Square Routed

Hamilton MODEL No: AL 600 A

NOTES

- Comes in left or right
- Overhead cabinet layout can vary

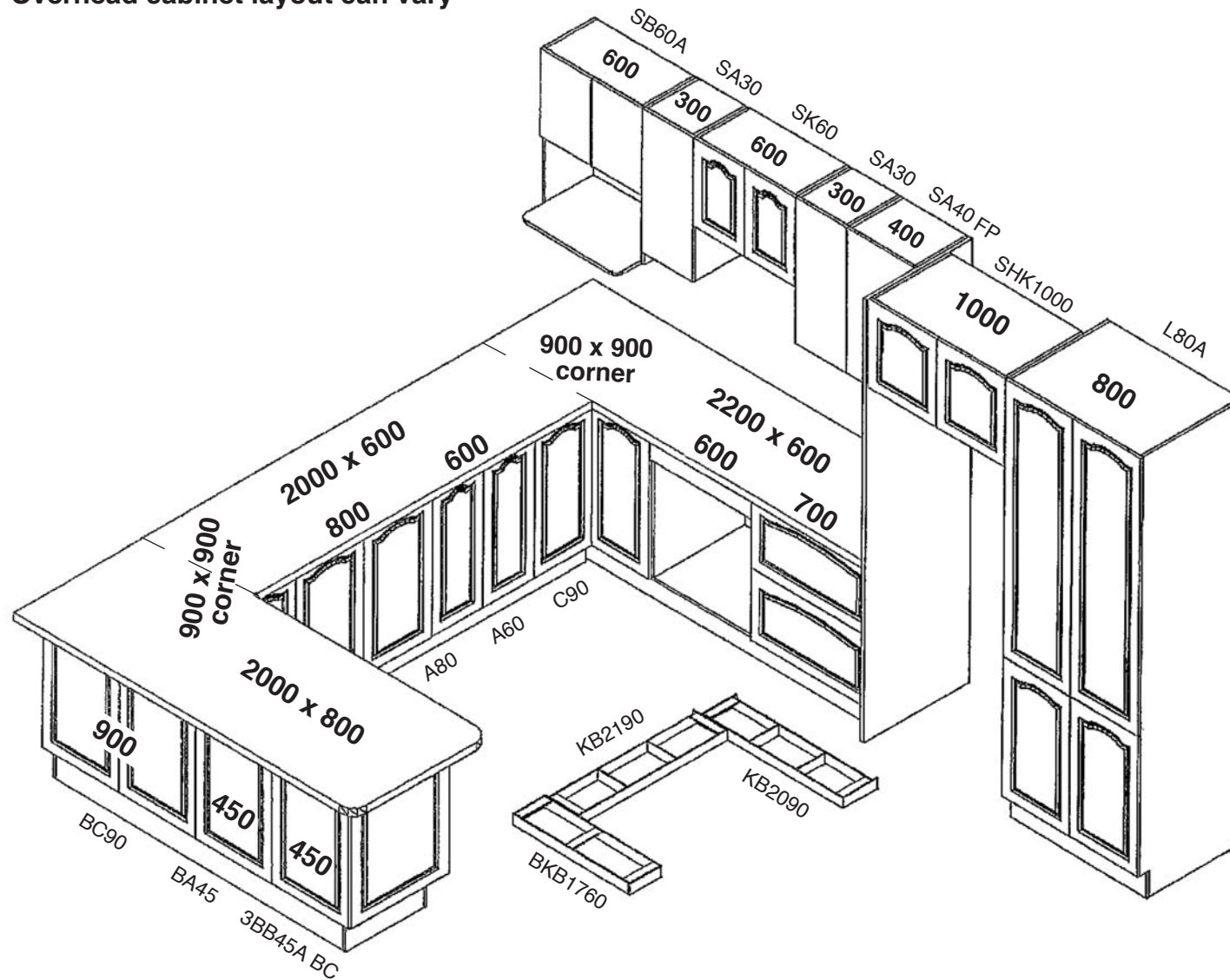


Hayman

MODEL No: AU2

NOTES

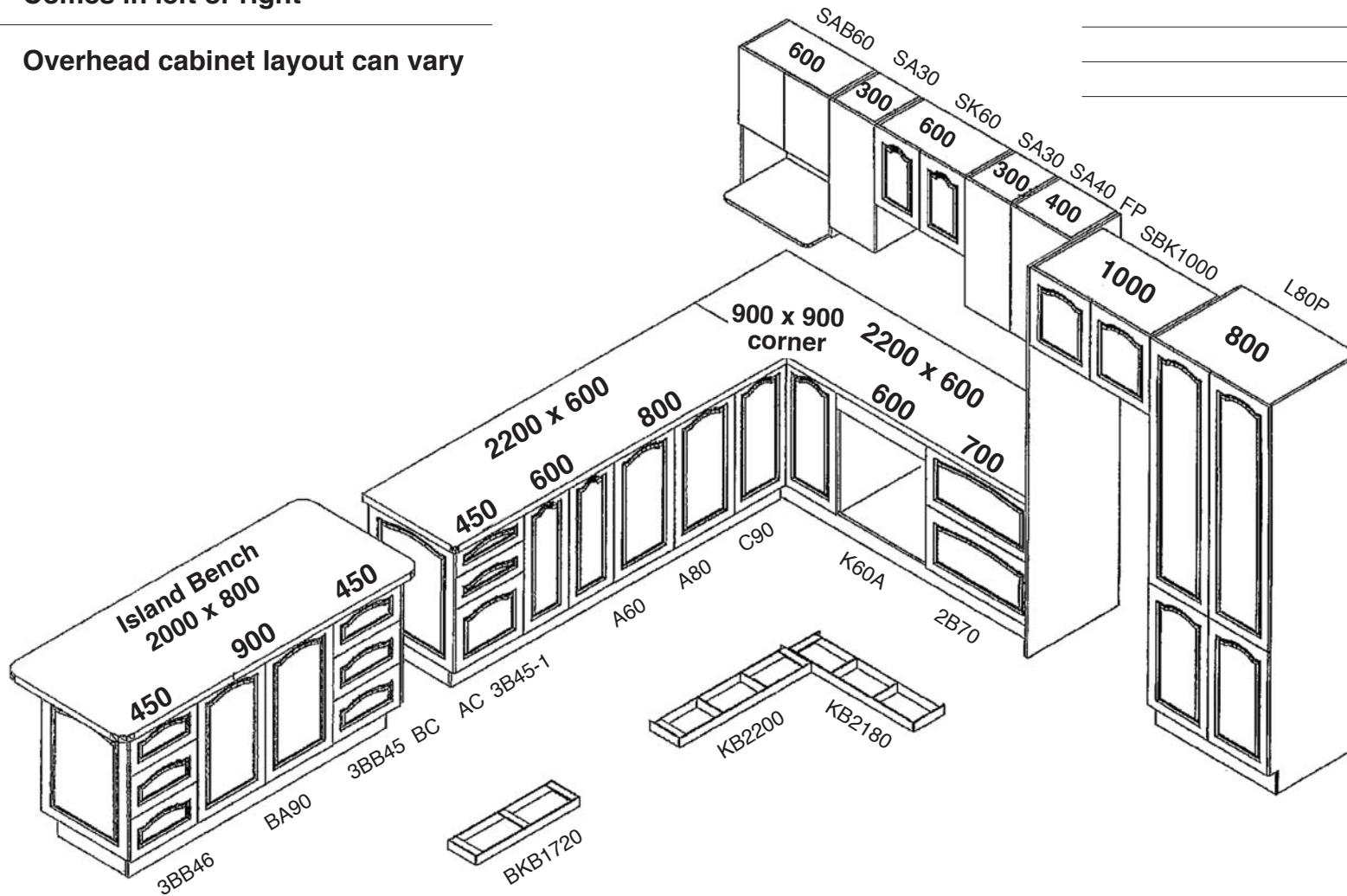
- Comes in left or right
- Overhead cabinet layout can vary



Lindeman MODEL No: BL

NOTES

- Comes in left or right
- Overhead cabinet layout can vary

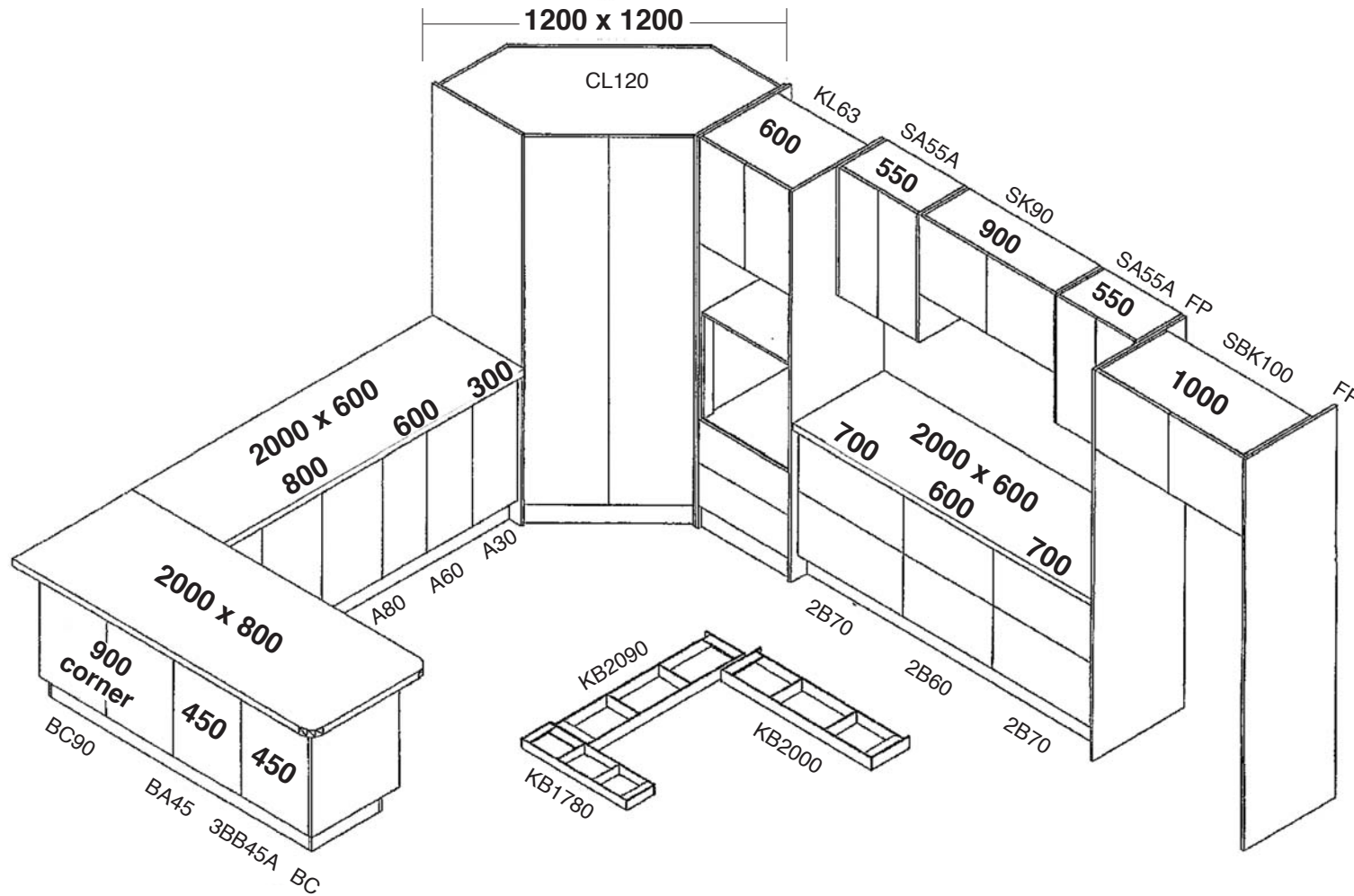


NB: Island benches are fully finished edges on all sides

Bedarra MODEL No: CU2

- Comes in left or right
- Overhead cabinet layout can vary

NOTES

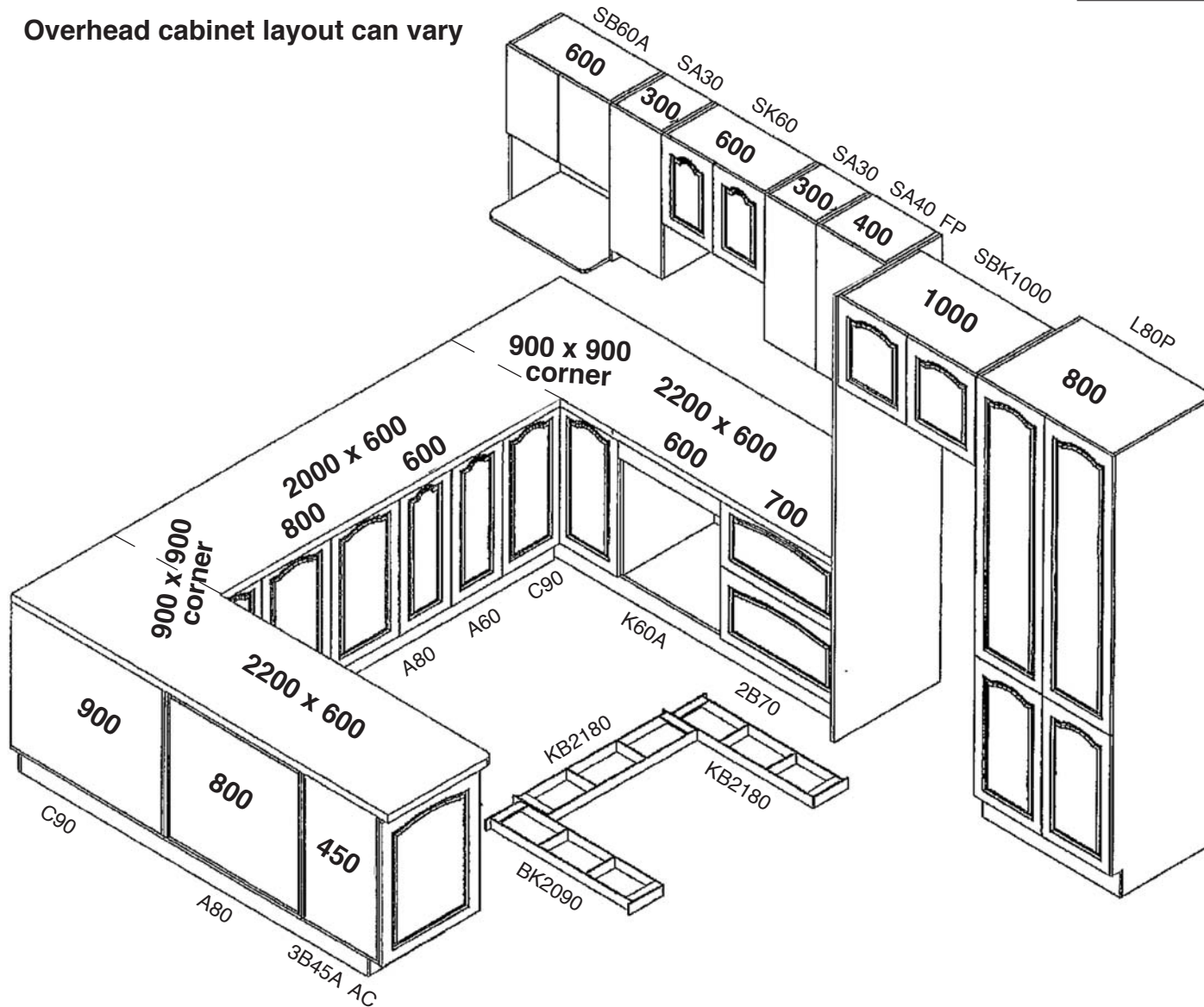


Daydream

MODEL No: DU 600 A

NOTES

- Comes in left or right
- Overhead cabinet layout can vary

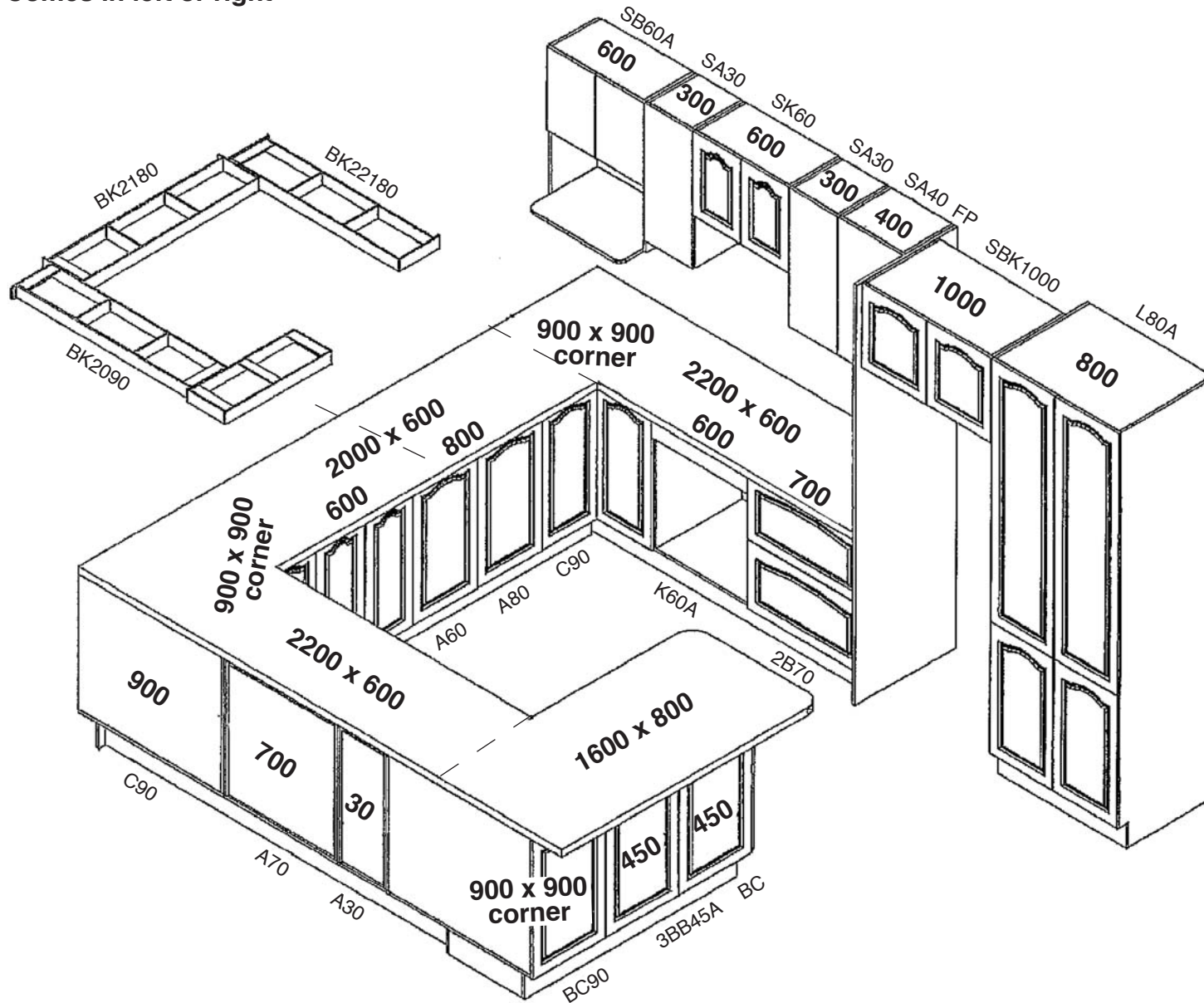


Whitsunday

MODEL No: EU

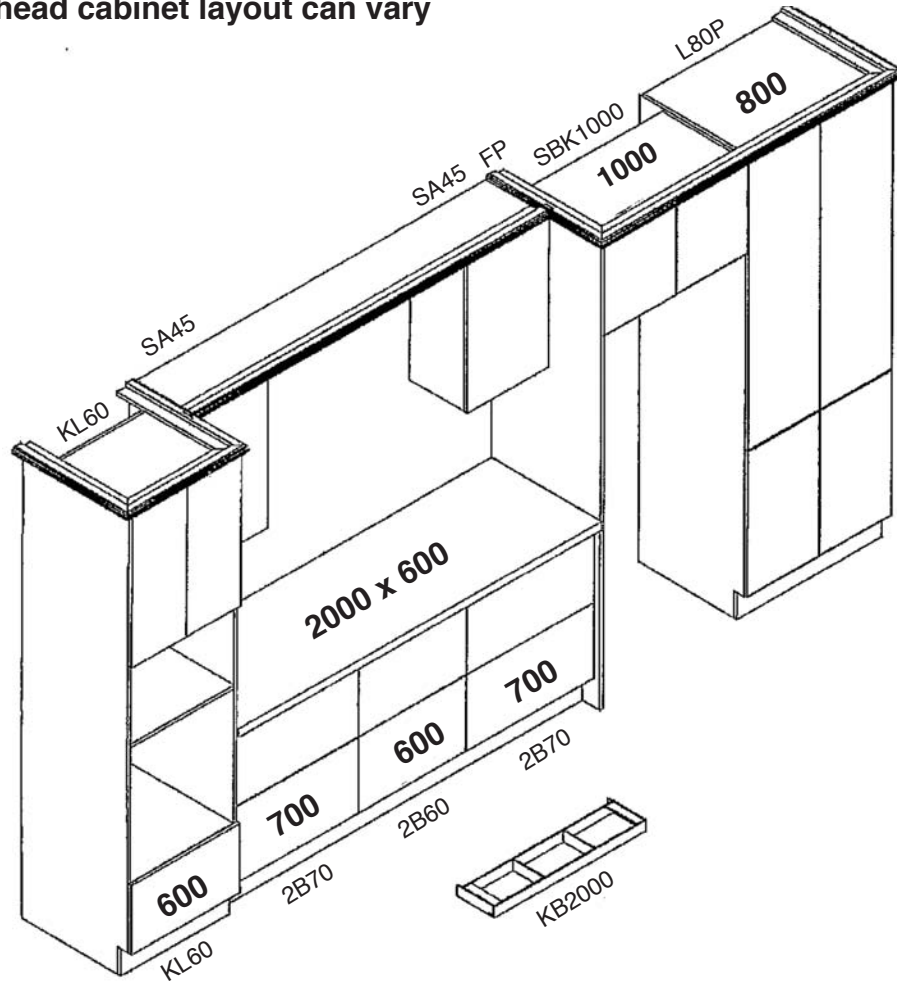
NOTES

■ Comes in left or right

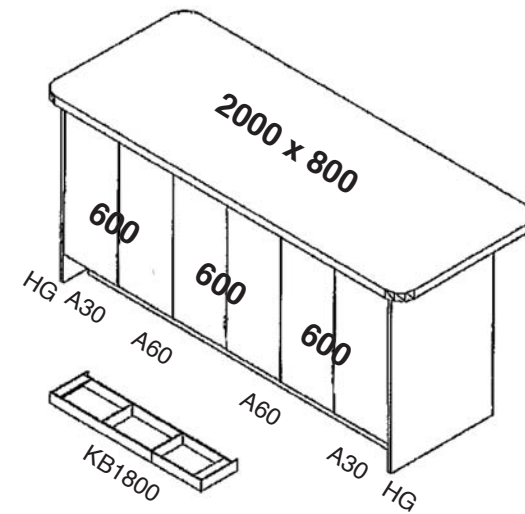


Endeavour GALLEY KITCHEN

■ Overhead cabinet layout can vary



NOTES



Nb: Island benches are fully finished edges on all sides

Custom designed kitchens

Design your own kitchen with our easy cut-out and plan on the next few pages. Let us know the finishing styles of cupboards and your benchtop choice, then email or fax us your plan and selections to -

Att: Paul Vertigan or Megan Marshall to receive a written quote within 24 hours or contact Megan or Paul on (03) 9265 5504. Generally custom kitchens can be available for collection within 14 days.

Name _____

Telephone/mobile _____

Fax No. _____

Email _____

Fax: **03] 9265 5501** or email: **sales@fowles.com.au**

Benchtop colours *You may want to visit our showroom to see samples.*

- Black Galaxy Star White English Brown Rose Pink HM Granite Butterfly Green Star Black

Tick your choice

Benchtop profiles



Bullnose



Square Edge

Cupboard profiles



Pencil Edge



Bevelled Edge



Arch Routed



Square Routed

Plan it your way

Here are our standard kitchen cabinet units you can use to configure the design you'd like. Simply cut out the shapes and configure your design on the grid. Use what you need and what fits your floor plan.

Fax **03] 9265 5501** or
Email **sales@fowles.com.au**

Start here!

Measure the size of the space you have and determine the shape of the kitchen that best suits the area. Take note of the location of your windows, doors, plumbing, electricity and gas fittings. Then place the cupboards and utilities into a design that suits your needs. Try to remember the kitchen work flow triangle, whereby you can move from cooking to washing to storage easily. Be sure to have plenty of storage and benchtop space.


Scale: 1cm = 200mm

Overhead cupboards

Overhead Cupboard 900 x 320mm	Overhead Cupboard 800 x 320mm	Overhead Cupboard 700 x 320mm	Overhead Cupboard 600 x 320mm
Overhead Cupboard 900 x 320mm	Overhead Cupboard 800 x 320mm	Overhead Cupboard 700 x 320mm	Overhead Cupboard 600 x 320mm

Base cupboards: Drawers only available in 450 / 600 / 700mm

Base Cupboard 900 x 600mm	Base Cupboard 800 x 600mm	Base Cupboard 700 x 600mm	Base Cupboard 600 x 600mm	Base Cupboard 450 x 600mm
Base Cupboard 900 x 600mm	Base Cupboard 800 x 600mm	Base Cupboard 700 x 600mm	Base Cupboard 600 x 600mm	Base Cupboard 450 x 600mm
Corner unit 900 x 900mm	Corner unit 900 x 900mm	Corner unit 900 x 900mm	Corner unit 900 x 900mm	



Pantry <input type="checkbox"/> 450 <input type="checkbox"/> 600 <input type="checkbox"/> 800 mm <i>please tick</i>

Rangehood Cavity allowance for <input type="checkbox"/> 600 <input type="checkbox"/> 900 mm <i>please tick</i>

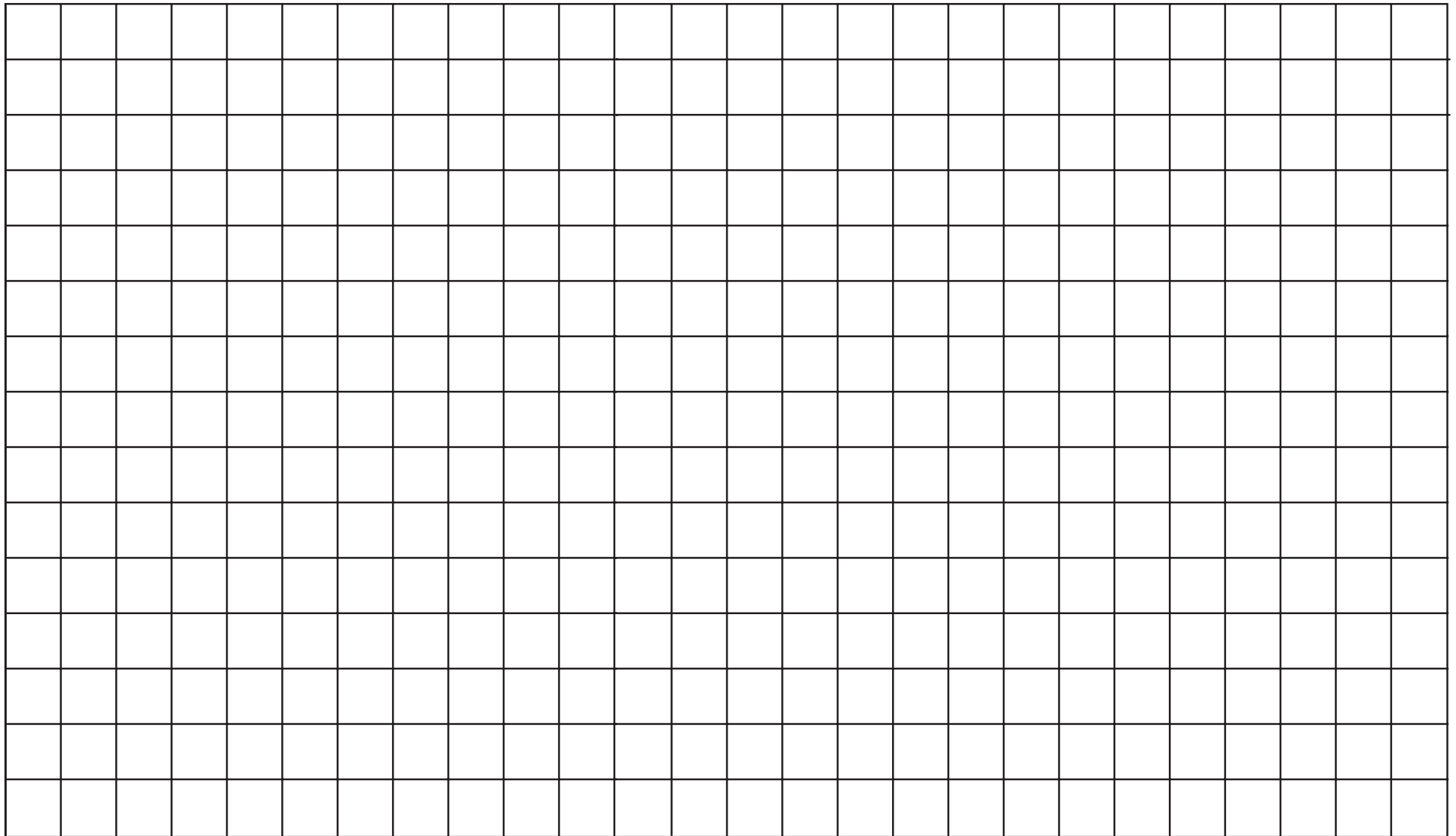
Refrigerator Cavity allowance for <input type="checkbox"/> 800 <input type="checkbox"/> 900 <input type="checkbox"/> 1000 mm <i>please tick</i>
--

Oven Cavity allowance for 600mm wide oven

Need help? Call Megan Marshall or Paul Vertigan on (03) 9265 5504

Design your own kitchen

Simply cut out the shapes on the next page and configure your design on the grid.



Fax: **03] 9265 5555** or email: **sales@fowles.com.au**

Scale: 1cm = 200mm

Att: Paul Vertigan or Megan Marshall to receive a written quote within 24 hours.

Generally custom kitchens can be available for collection within 14 days.



